



ROYAL

COOKING APPLIANCES
CATALOGUE

ROYAL

The image features the word "ROYAL" in a white, serif typeface, centered horizontally. The text is enclosed within a thin white oval border. A small white circle is positioned at the top right of the oval, resembling a dot or a small planet. The entire graphic is set against a dark blue background.



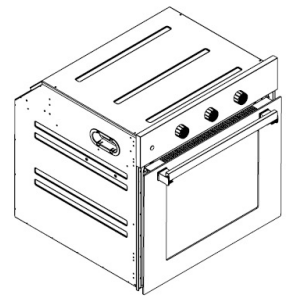
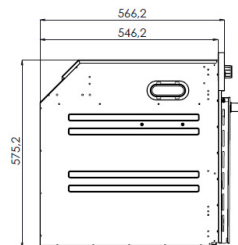
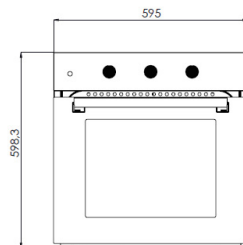
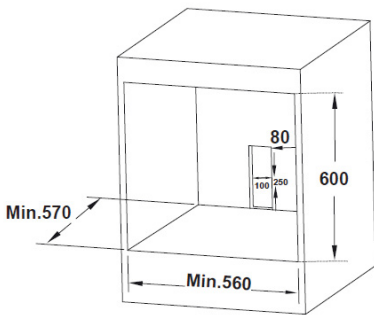
A6 BUILT-IN OVEN





A6-SF2 MT

Model	A6-SF2 MT
Capacity	50-56 L
Voltage	220/240 V
Frequency	50/60 Hz
Product Type	Built-in
Thermostat	Yes
Functions	4
Oven Type	Static + Fan
Oven Control Panel	Inox Panel
Display/Timer	Yes
Inner Door Type	Full Glass (Removable)
Interior Accessory	1xCr-ni Grid 2x Enamelled Rectangle Tray
Interior Light	Yes
Side Shelves	Embedded
Cooling Fan	Yes
Total Power	2000 W



B66 ELIT BUILT-IN OVEN



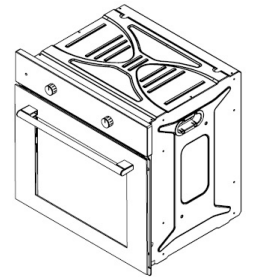
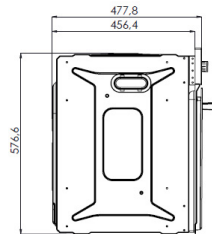
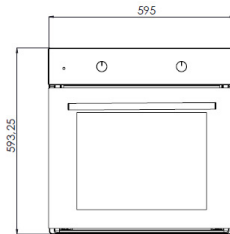
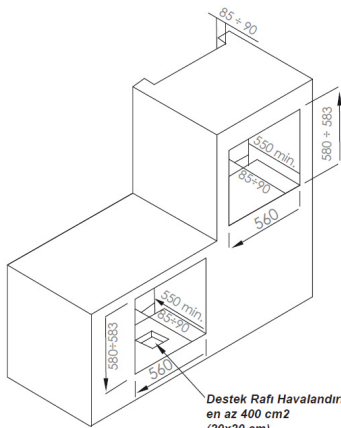
ROYAL

B66-SF2 MT

8694740515560



Model	A68-SF3 MT
Capacity	51-55 L
Voltage	220/240 V
Frequency	50/60 Hz
Product Type	Built-in
Thermostat	Yes
Functions	9
Oven Type	Static + Fan
Oven Control Panel	Inox Panel
Display/Timer	Yes
Inner Door Type	Full Glass (Removable)
Inner Chamber	Black enamel
Interior Accessory	1xCr-ni Grid 1x Enamelled Rectangle Tray
Interior Light	Yes
Side Shelves	Embedded
Cooling Fan	Yes
Total Power	2000 W



70 LT MIDI OVEN



XXL





Max
230
200
170



100
150



90
80
70



10
20
30
40
50
60



Grill
333



ROYAL



LX-9645

Model	LX-9645
Capacity	70 Lt
Thermostat	Yes
Functions	5
Oven Type	Electric
Oven Control Panel	Inox Panel
Display/Timer	Yes
Inner Door Type	Full Glass (Removable)
Interior Accessory	Rectangle Tray
Interior Light	Yes
Side Shelves	Embedded
Cooling Fan	Yes





KF-3125 MINI OVEN





KF-3125



Model	KF-3125
Thermostat	Yes
Functions	3
Oven Type	Electric
Oven Control Panel	Metal Panel
Display/Timer	Yes
Inner Door Type	Full Glass (Removable)
Interior Accessory	Rectangle Tray+Round Tray
Interior Light	Yes
Side Shelves	Embedded
Cooling Fan	Yes





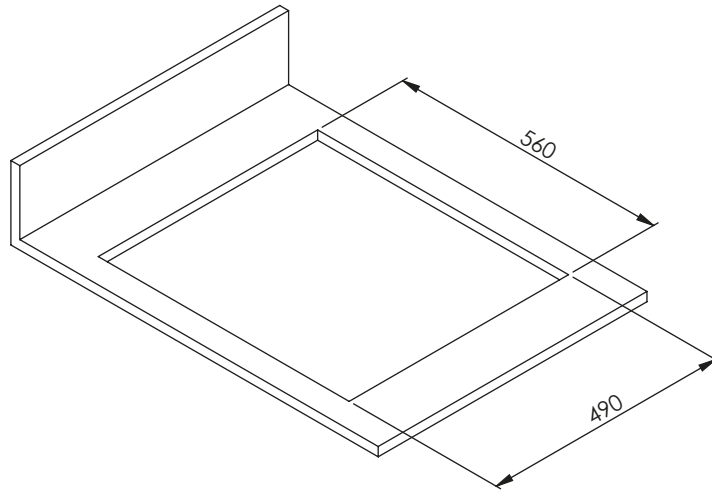


LX-410 BF
METAL GAS COOKERS



KO-410 BF

Model	KO-410 BF
Colour	Inox
Hob Type	4 Gas
Product Type	Built-in
Gas Type	LPG
Burner Type	With Pool
Pan Support	Enamelled
Ignition	Auto
Gas Safety	+
Voltage	220-240V
Frequency	50/60 Hz
Rapid Burner	1x2,20 KW
Sami Rapid burner	2x1,65 KW
Auxiliary Burner	1x1,10 KW



Model	Product Size(mm)	Built-in Size(mm)	Carton Size(mm)	Loading Quantity(40 HC)
M6-40 BF	540x520x102	560x490	570x670x130	

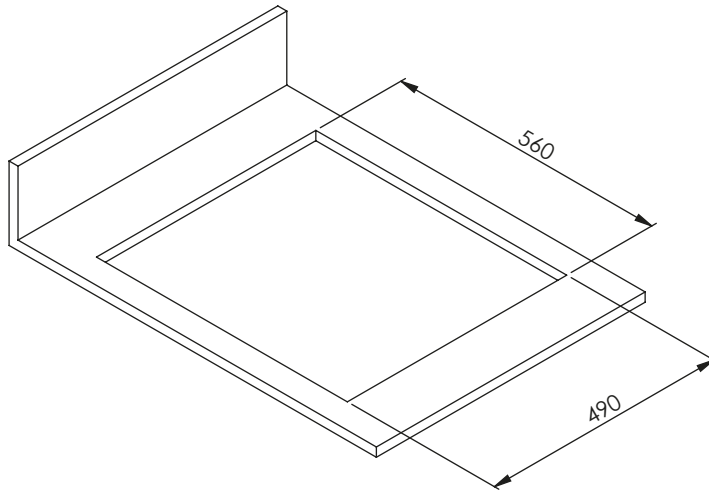


M6-40BF(NiL)
METAL GAS COOKERS

M6-40 BF NİL



Model	M6-40 BF
Colour	Inox
Hob Type	4 Gas
Product Type	Built-in
Gas Type	LPG
Burner Type	With Pool
Pun Support	Enamelled
Ignition	Auto
Gas Safety	+
Voltage	220-240V
Frequency	50/60 Hz
Rapid Burner	1x2,20 KW
Sami Rapid burner	2x1,65 KW
Auxiliary Burner	1x1,10 KW



Model	Product Size(mm)	Built-in Size(mm)	Carton Size(mm)	Loading Quantity(40 HC)
M6-40 BF	540x520x102	560x490	570x670x130	1350



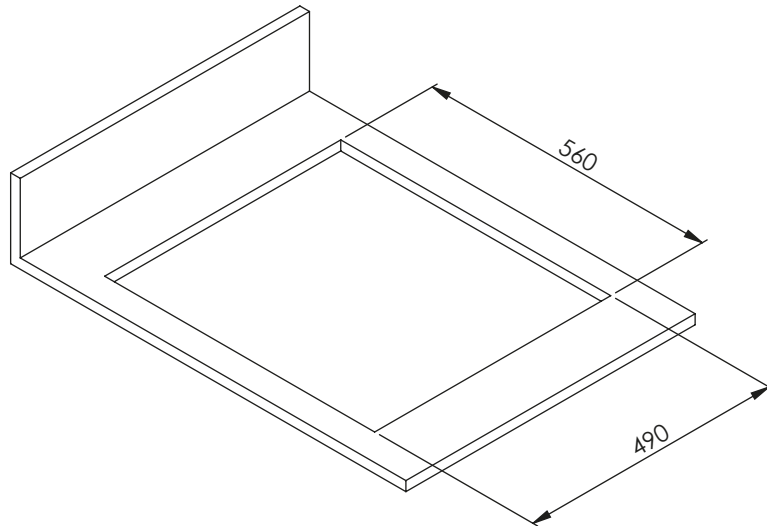


M7 50BTF METAL GAS COOKERS

M7-50 BTF



Model	M7-50 BTF
Colour	Inox
Hob Type	4 Gas - 1 Tribble
Product Type	Built-in
Gas Type	LPG
Burner Type	With Pool
Pan Support	Enamelled
Ignition	Auto
Gas Safety	+
Voltage	220-240V
Frequency	50/60 Hz
Rapid Burner	1x2,20 KW
Sami Rapid burner	2x1,65 KW
Auxiliary Burner	1x1,10 KW
Tribble Burner	1x3,60 KW



Model	Product Size(mm)	Built-in Size(mm)	Carton Size(mm)	Loading Quantity(HC)
M7-50BF	685X510X81	560X490	140X610X820	1040

KO-204 PUNTO

Model	KO-204 PUNTO HOB
Colour	Inox
Hob Type	4 Gas
Product Type	Counter Hob
Gas Type	LPG
Burner Type	With Pool
Pan Support	PAINTED LAMA
Ignition	Auto
Rapid Burner	1x2,20 KW
Sami Rapid burner	2x1,65 KW
Auxiliary Burner	1x1,10 KW



60-GG40



Model	60-GG40
Inner Chamber	Enamelled
Control Panel	White
Pun Support	Enamelled
Drawer	Fixed
Voltage (V)	220-240
Frequency	50/60 Hz
Oven Type	Gas+Gas
Oven FFD	Yes
Gas Type	Lpg
Ignition	No
Rotisserie	No
Light	No
Fan	No
Timer	No
Thermostat	No
Tray	1 Piece Rectangular Tray
Grid	1 Piece
Side Racks	Enamelled
Hob Type	Gas
Ignition	No
Number Of Burners	4 Gas
Material of table	White enamelled
Pun Support Type	Enamelled pun support



60-GG40



Model	60-GG40
Inner Chamber	Enamelled
Control Panel	Inox
Pun Support	Enamelled
Drawer	Fixed
Voltage (V)	220-240
Frequency	50/60 Hz
Oven Type	Gas+Gas
Oven FFD	Yes
Gas Type	Lpg
Ignition	No
Rotisserie	No
Light	No
Fan	No
Timer	No
Thermostat	No
Tray	1 Piece Rectangular Tray
Grid	1 Piece
Side Racks	Enamelled
Hob Type	Gas
Ignition	No
Number Of Burners	4 Gas
Material of table	Inox
Pun Support Type	Enamelled pun support



696-GG50



Model	696-GG50
Inner Chamber	Enamelled
Control Panel	White
Pun Support	Enamelled
Drawer	Opened
Voltage (V)	220-240
Frequency	50/60 Hz
Oven Type	Gas+Gas
Oven FFD	Yes
Gas Type	Lpg
Ignition	No
Rotisserie	Yes
Light	Yes
Fan	No
Timer	Yes
Thermostat	No
Tray	1 Piece Rectangular Tray
Grid	1 Piece
Side Racks	Enamelled
Hob Type	Gas
Ignition	No
Number Of Burners	4 Gas
Material of table	White Enamel
Pun Support Type	Enamelled pun support



696-GG50



Model	696-GG50
Inner Chamber	Enamelled
Control Panel	Inox
Pun Support	Enamelled
Drawer	Opened
Voltage (V)	220-240
Frequency	50/60 Hz
Oven Type	Gas+Gas
Oven FFD	Yes
Gas Type	Lpg
Ignition	No
Rotisserie	Yes
Light	Yes
Fan	No
Timer	Yes
Thermostat	No
Tray	1 Piece Rectangular Tray
Grid	1 Piece
Side Racks	Enamelled
Hob Type	Gas
Ignition	No
Number Of Burners	4 Gas
Material of table	Inox
Pun Support Type	Enamelled pun support





DK6-711

Product Type	Built-in
Color	Black
Frequency (Hz)	50
Intensive Ventilation Capacity	450 m ³ /h
Control Type	Button
Number of Power Levels	5
Type of Lighting	LED
Motor Power	140 W
Filter	Dishwasher Safe Filters



